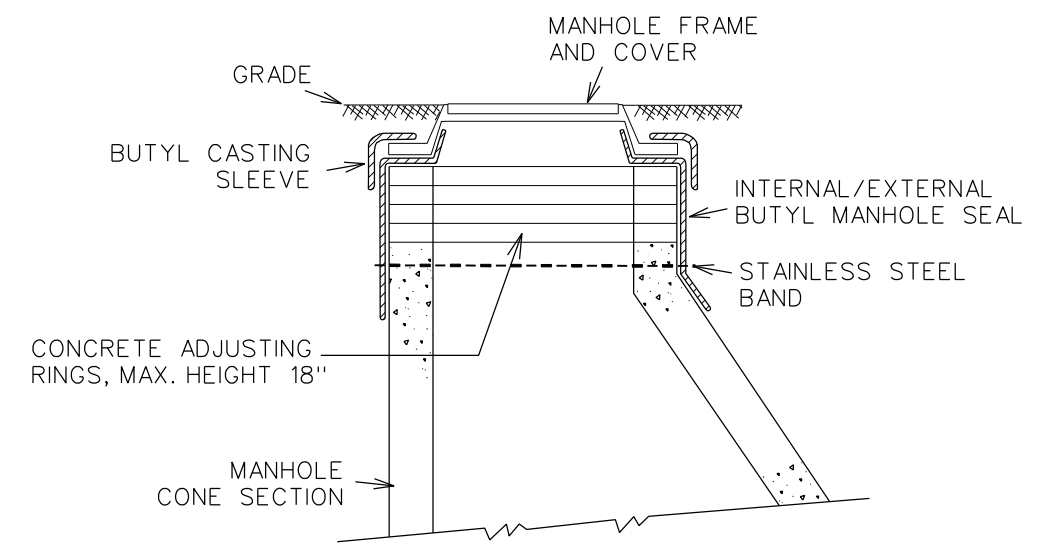


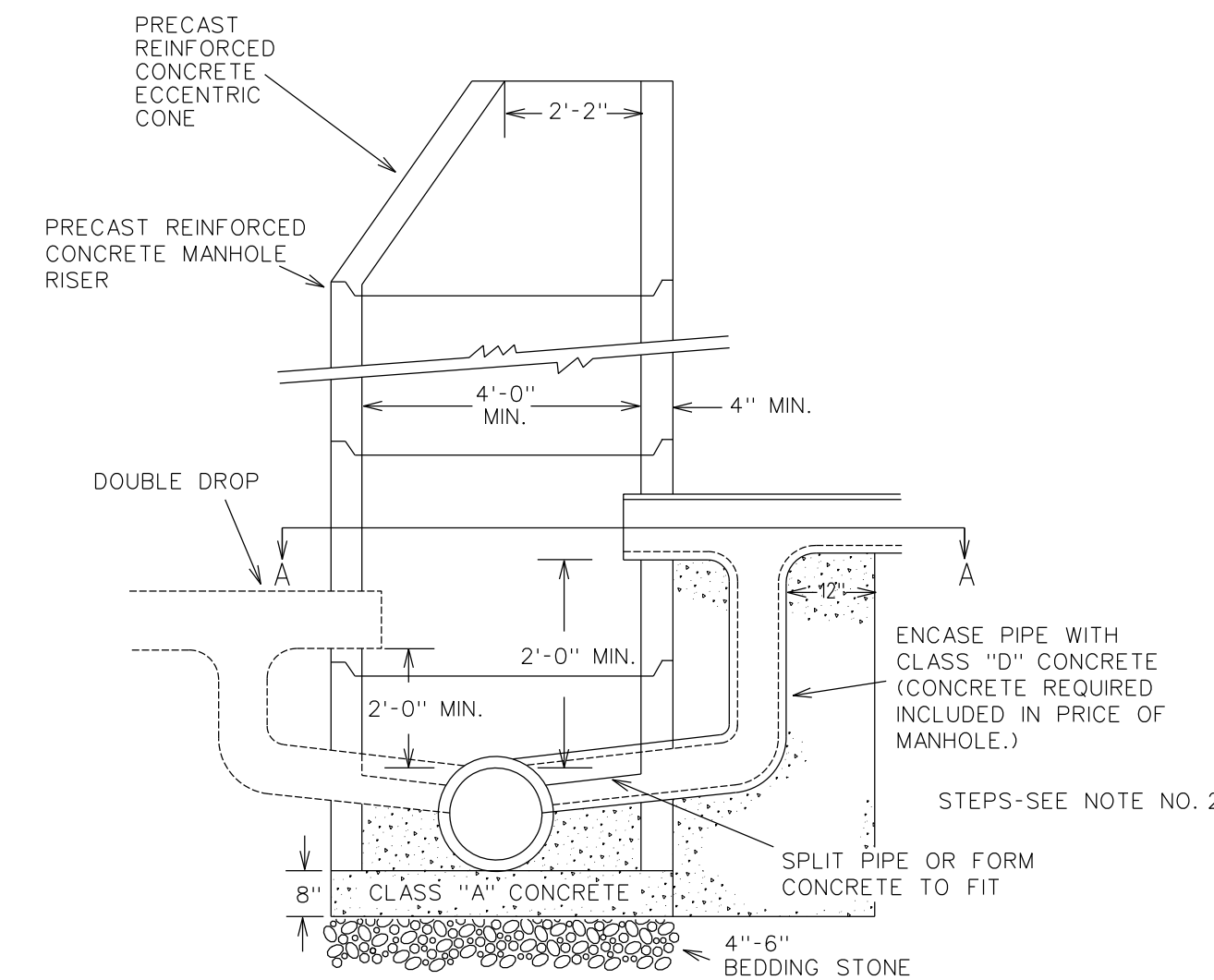
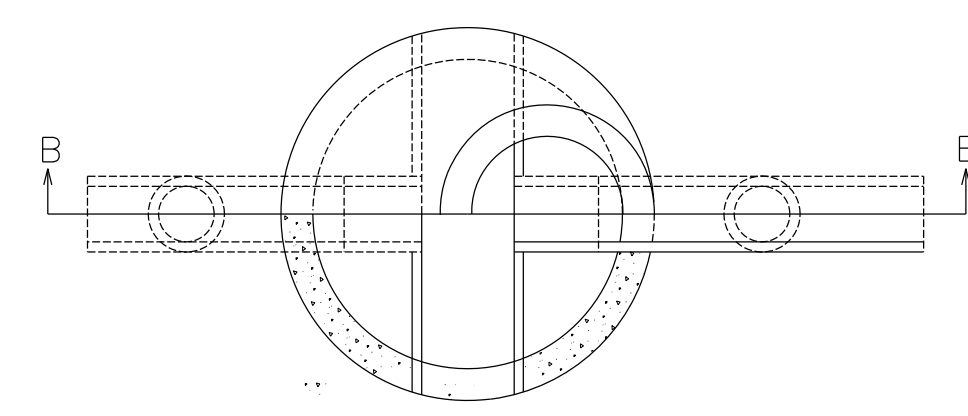
INTERNAL/EXTERNAL MANHOLE SEAL



- NOTES:
- INTERNAL/EXTERNAL MANHOLE SEAL BY ADAPTOR INC., OR APPROVED EQUAL
 - MANHOLE SEAL SHALL BE INSTALLED ACCORDING TO MANUFACTURER SPECIFICATIONS

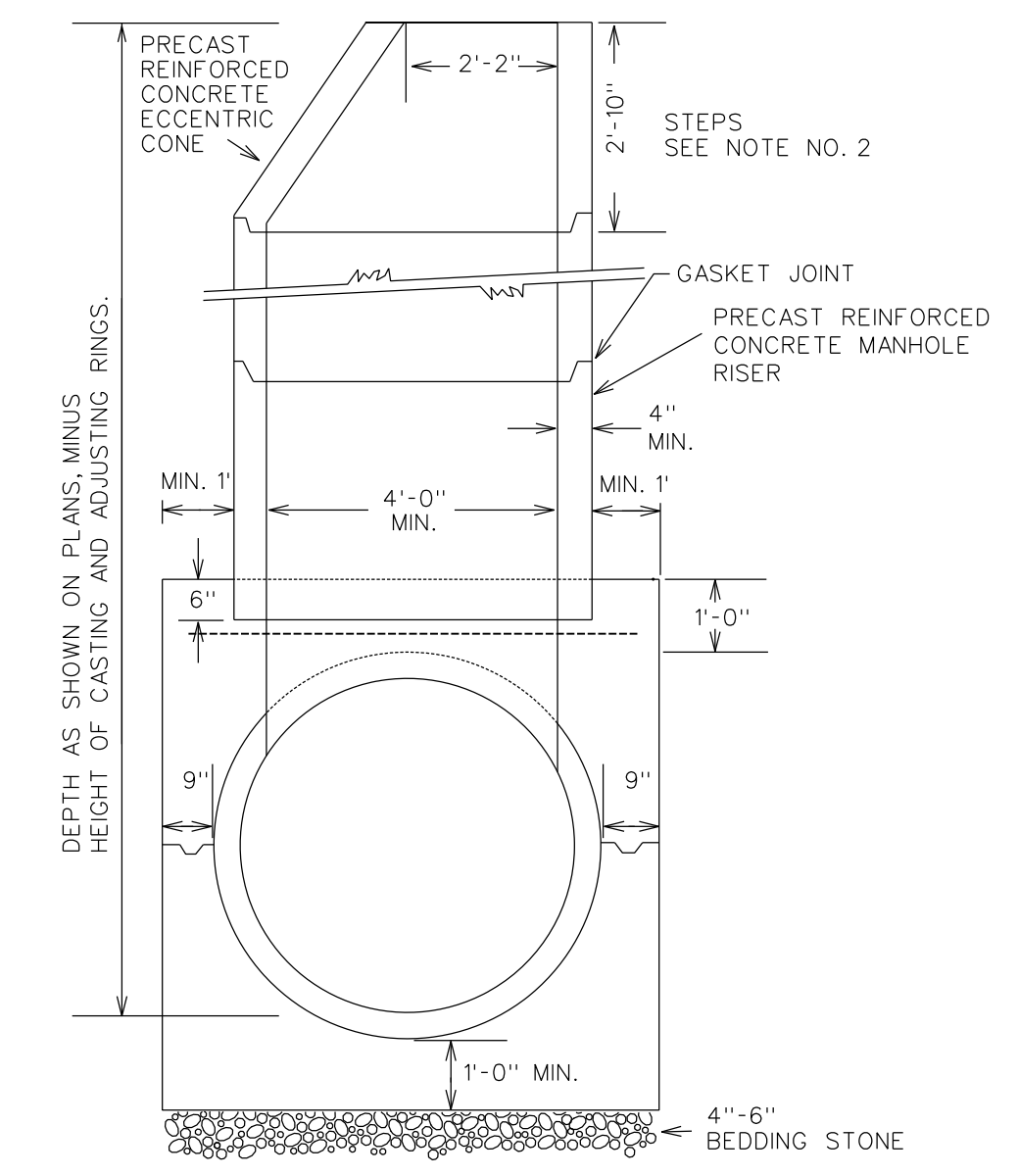
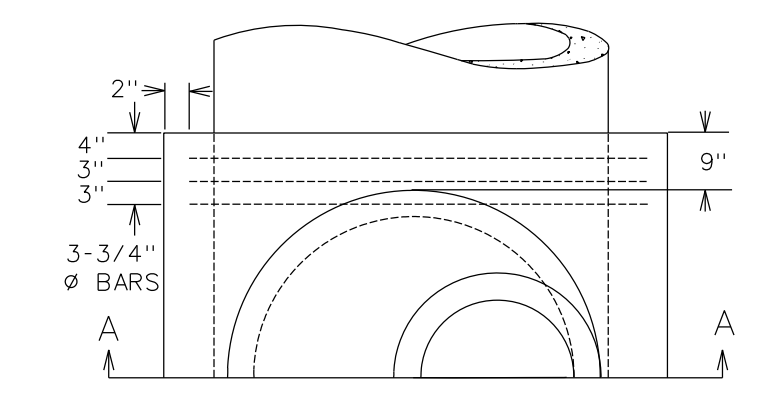
TYPE "D" OR "DD" MANHOLE

(PRECAST OR CAST-IN-PLACE)
HALF PLAN VIEW



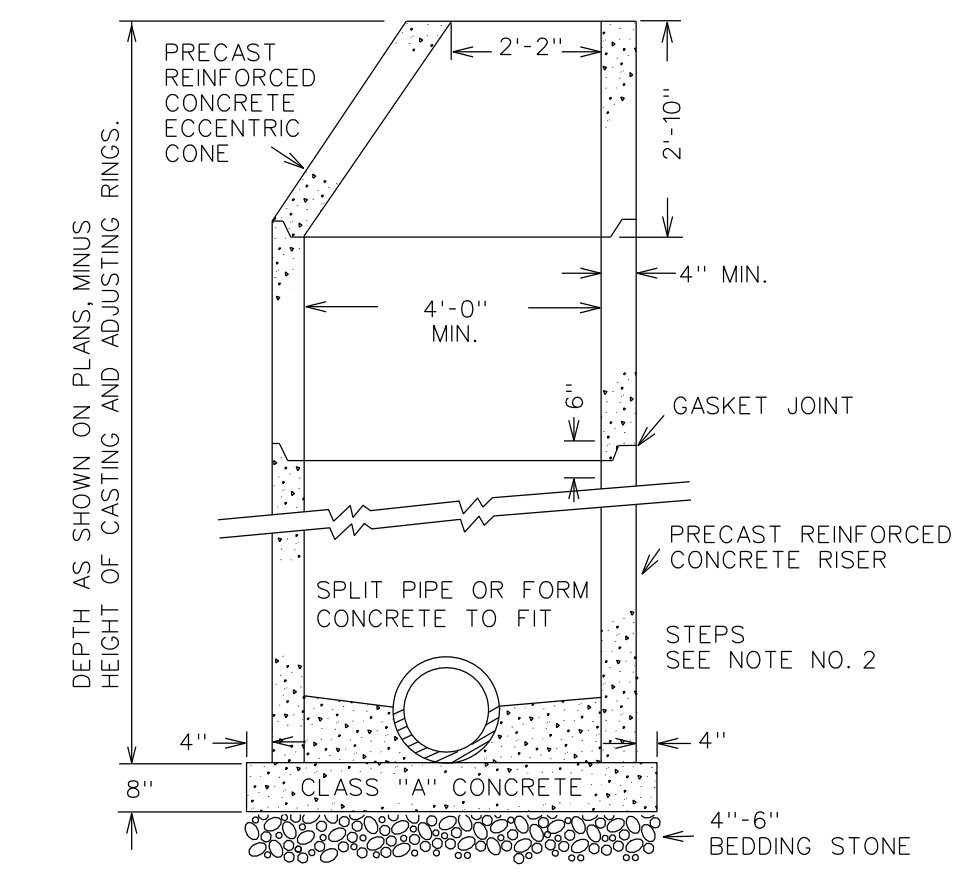
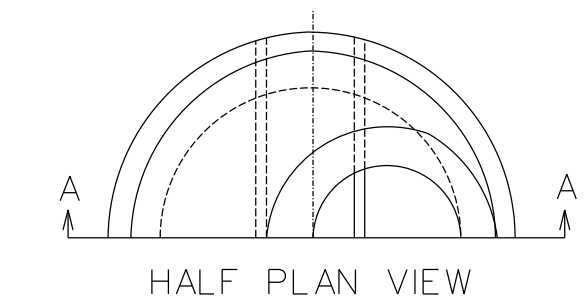
SECTION B-B

TYPE "B" MANHOLE



SECTION A-A

TYPE "A" MANHOLE



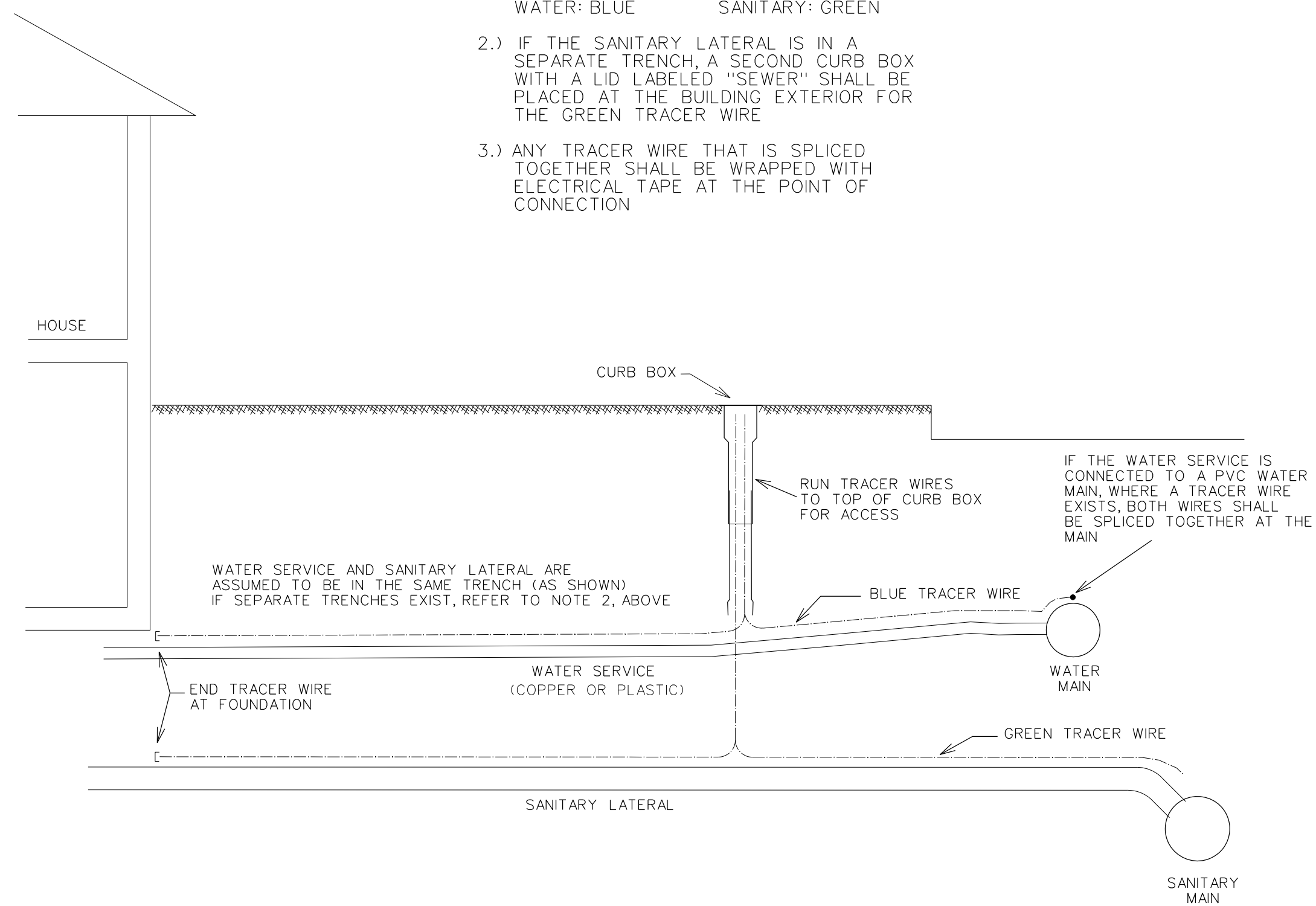
SECTION A-A

PIPE DIAMETER	MANHOLE DIAMETER	WALL THICKNESS
8" THRU 27"	4' - 0"	4"
30"	4' - 0"	5"
36"	5' - 0"	6"
30"	6' - 0"	7"

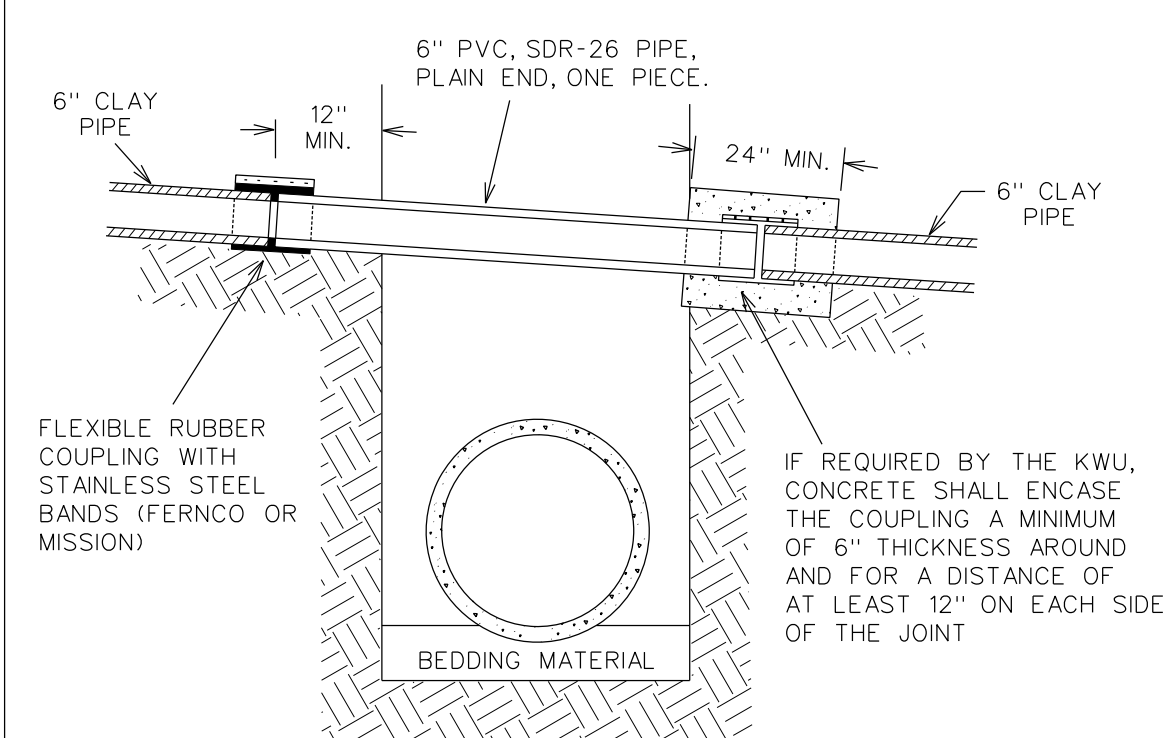
WATER SERVICE AND SANITARY LATERAL, TRACER WIRE DETAIL

NO SCALE

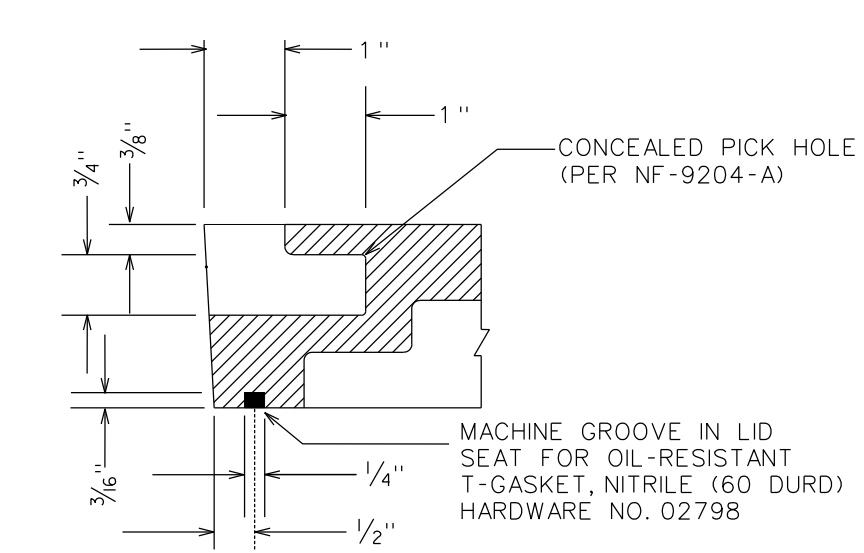
- NOTES:
- TRACER WIRES SHALL BE #12 AWG THWN SOLID COPPER WITH COLORED INSULATION WATER-BLUE
 - IF THE SANITARY LATERAL IS IN A SEPARATE TRENCH, A SECOND CURB BOX WITH A LID LABELED "SEWER" SHALL BE PLACED AT THE BUILDING EXTERIOR FOR THE GREEN TRACER WIRE
 - ANY TRACER WIRE THAT IS SPLICED TOGETHER SHALL BE WRAPPED WITH ELECTRICAL TAPE AT THE POINT OF CONNECTION



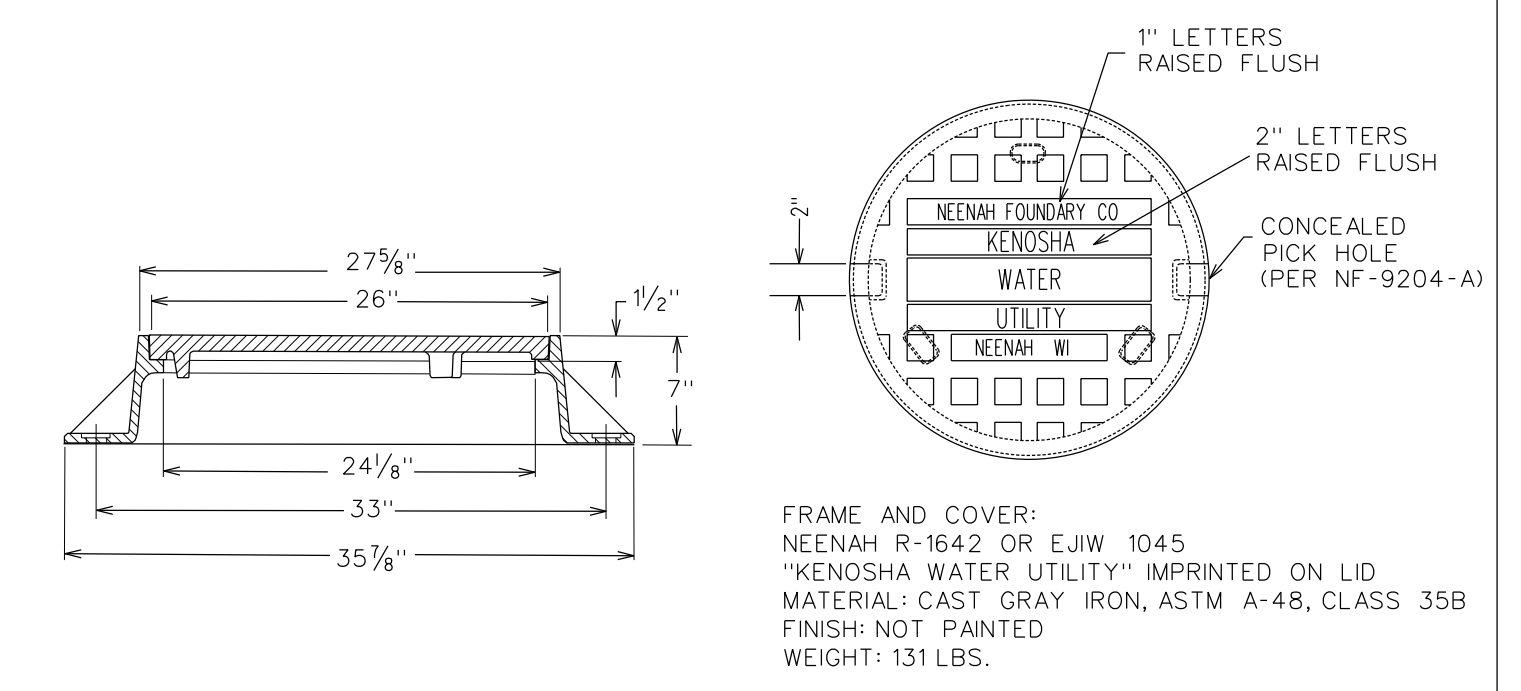
SANITARY HOUSE SEWER CROSSING



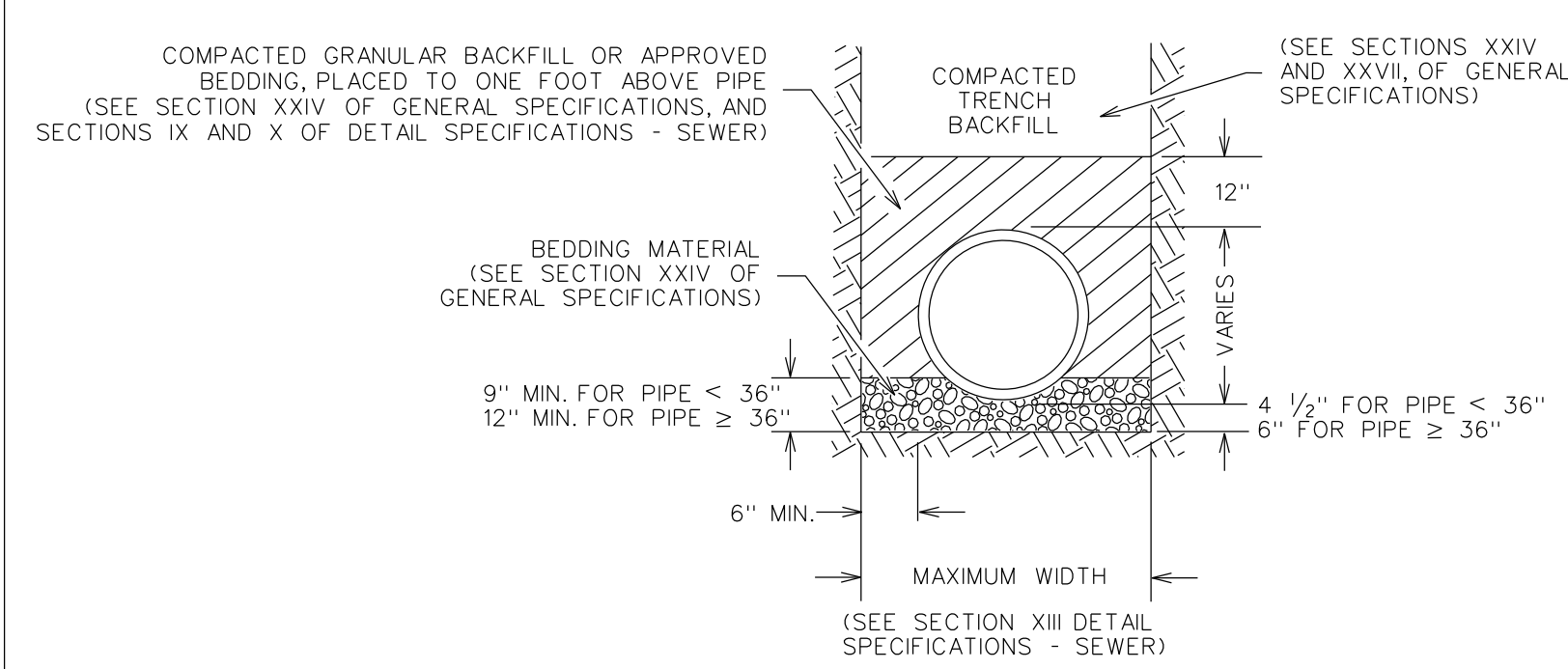
T-SEAL/CONCEALED PICKHOLE DETAIL



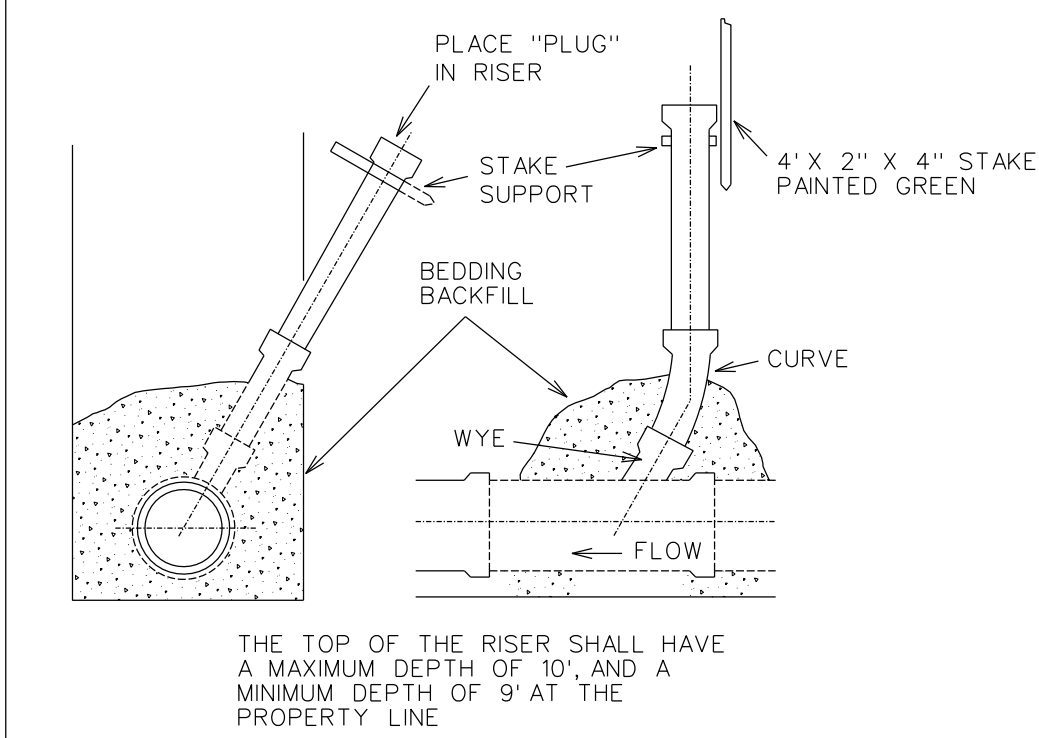
SANITARY MANHOLE CASTING



SANITARY SEWER MAIN TRENCH DETAIL



HOUSE RISER DETAIL



CONSTRUCTION NOTES

- DETAILS RELATIVE TO THESE ITEMS SHALL CONFORM TO THE PERTINENT REQUIREMENTS OF THE STANDARD SPECIFICATIONS AND THE APPLICABLE SPECIAL PROVISIONS.
- MANHOLES SHALL BE CONSTRUCTED OF CONCRETE BLOCK, PRECAST REINFORCED CONCRETE, OR BRICK. INSIDE DIMENSIONS SHALL BE AS SHOWN ON DRAWING.
 - ALL MANHOLES SHALL BE PROVIDED WITH STEPS SPACED 16" ON CENTER AS FOLLOWS:
BLOCK MANHOLES-NEENAH R1981-G OR EQUAL
PRECAST MANHOLES-NEENAH R1980-C OR EQUAL
 - ALL MANHOLES SHALL CONFORM TO C478 ASTM AND AS SHOWN ON THE ABOVE DETAILS.

STANDARD DETAIL SHEET
SANITARY SEWER

KENOSHA WATER UTILITY ENGINEERING SERVICES
Edward St. Peter - General Manager
4401 Green Bay Rd. Kenosha, Wisconsin 53144-1716
ph (262) 653-4315 fax (262) 653-4303

REVISIONS	Survey By :	Date :	Design By :	Date :	Drawn By :	Date :	Checked By :	Date :	D. N. R. No. :
03/21/07 - SANITARY HOUSE SEWER CROSSING & NEW TRACER WIRE SPECIFICATION			JMR	01/27/07					
01/27/07 - ENTIRE SHEET REVISED									
03/03/08 - REVISE TYPE 'D' or 'DD' MANHOLE									